

Individual sensor for lift ropes application



SWR Load sensor for lift ropes

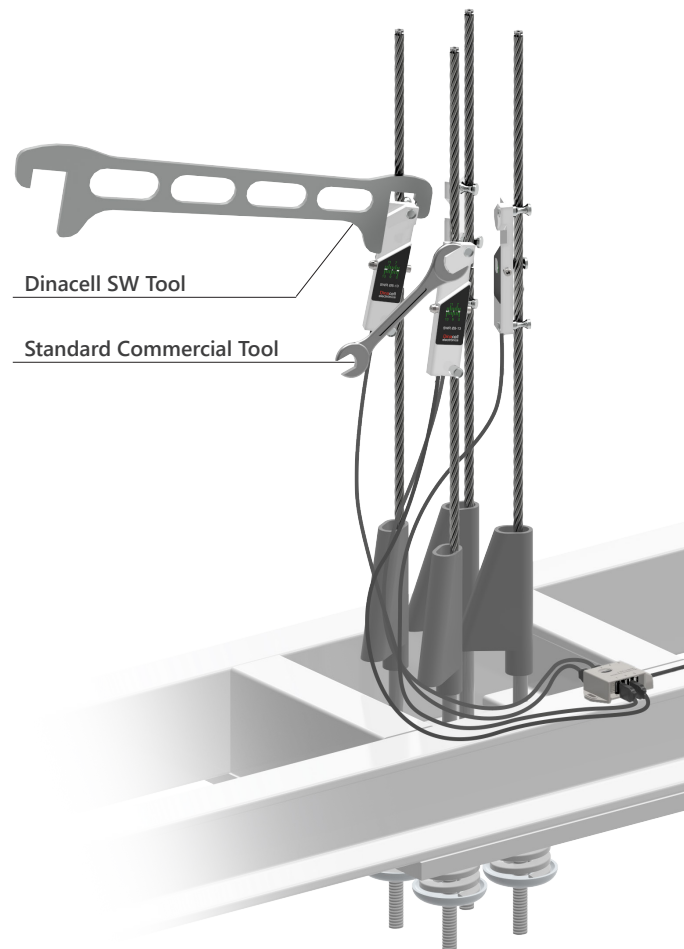
These sensors are installed individually on the lift ropes to measure the load supported on each rope. The SWR retractable central pulley allows to cover a range from diameter 5 up to 13 mm, with their respective nominal load in a single format.

One of the most remarkable characteristics of this sensor is the fast and easy installation, by using Dinacell SW Tool or any standard tool. Other of its advantages is the capability of being installed in already finished installations.

For a complete load weighing installation

These sensors have a USB connector output. This feature allows to use multiple-input in control unit, as OMEGA Control until, and be able to obtain individual information from each sensor.

For installations with the special requirement of connecting a set of sensors to a load limiter with only one input, sets could be conformed with a *INTERFACE*¹. This accessory provide a wired or USB output, which makes them suitable with any device, regardless of the load limiter input type.

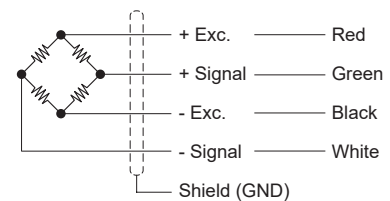
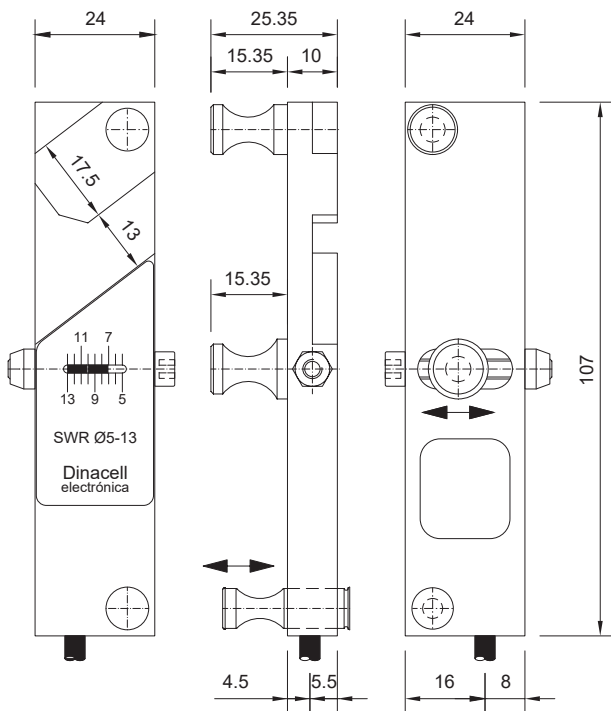


1- INTERFACE.

Specifications

Parameter	Units	Specification										
Model	-	SWR										
Nominal Load (N.L.)	kg	200	250		300	350	400	450	550	650	800	
Rope Ø	-	5	6	6.5	7	8	9	10	11	12	13	
Nominal Sensibility (N.S.)	mV/V	0.5 ... 2.0										
Accuracy	-	0.25%										
Zero balance	%mV/V	± 0.20										
Maximum excitation voltage	V	12										
Minimum distance to hitch point	cm	25										
Temperature range	Compensated	-10 ... +40 (+14 ... +104)										
	Operating	°C (°F)	-20 ... +60 (-4 ... +140)									
	Storage	-20 ... +70 (-4 ... +158)										
Min. insulation resistance (V.Test = 100V)	GΩ	4										
Input resistance	Ω	350 ± 1.5										
Output resistance	Ω	350 ± 1.5										
Load limit	Working	120										
	Safe	%N.L.	150									
Cable	Type	-	4 x 0.14 mm ² Ø4.3									
	Connector	-	USB									
	Standard length	m	0.5 / 2 / 4									
	Material	-	Polurethane (PU)									
	Sensor	-	Aluminum									
Sensor	Material	-	Aluminum									
	Surface treatment	-	Anodized									
Protection class	-	IP65										

Dimensional Drawings (mm) and Wiring Diagram



SWR Product Reference

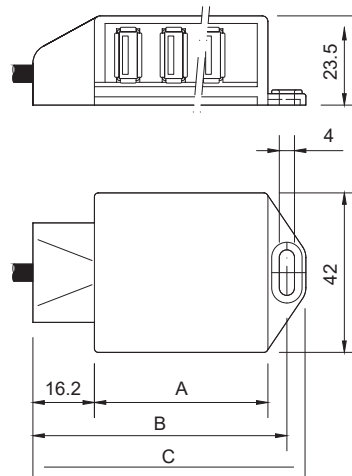


Ref.	Cable (m)	Model
007760	0.5	SWR
008042	2	
008145	4	

Accessories: INTERFACE



Parameter	Units	Specifications			
Model	-	INTERFACE			
Temperature range	°C (°F)	-20 ... +60 (-4 ... +140)			
Material	-	Fire proof ABS			
Protection class	-	IP50			
Cable type	-	4 x 0.22 mm ² Ø4			
Cable length	m	5 + Ferrita			
USB port	-	6		12	
Connector	-	USB	Wired	USB	Wired
Ref.		007555	007274	007554	007275



Options: Installation tool SW



Ref.	002558
------	--------

For more information

www.dinacell.com

Dinacell Electrónica S.L.
 Pol. Ind. Santa Ana C/ El Torno N°8
 CP 28522 Rivas Vaciamadrid, Madrid, ESPAÑA
 Tel. (+34) 913 001 435
 Fax. (+34) 913 001 645

Document Ref.: D1070-02
Publication date: 02/10/2019

Certified company



PYMEINNOVADORA



Dinacell Electronics S.L. reserves the right to add, modify and/or delete content of the document without prior notice. The content indicated here should be used as general product information. It should not be interpreted as a guarantee of quality or durability.