

# RELAIS INSTANTANÉS ET DE FONCTION

4 contacts



TEC

1804

- rear wiring socket with clips ER/GE 2.8
- rear wiring socket / PCB mounting ER/GE
- front wiring socket with clips EVC/GE
- front wiring socket with clips 9876
- front wiring socket / screw terminals EVB/GE
- front wiring socket / screw terminals 9877

## Others models

- 1246
- 1301
- 1728
- 1753
- 1783
- ▶ 1804
- 1848
- 2246
- 2448
- BA
- CAA 72
- CAAI
- CARA
- CS
- GE

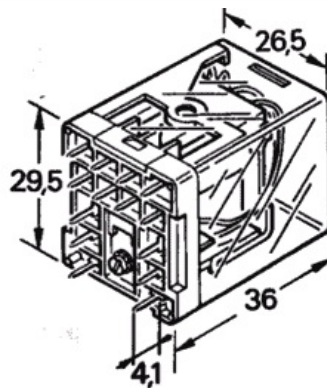
## ► Description

**Instantaneous relay - 4 CO contacts - 5 A..**

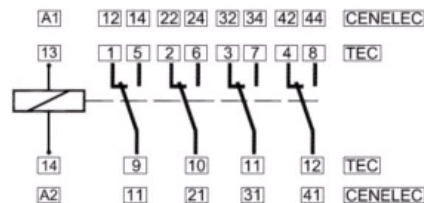
Pluggable on following sockets : 9876, 9877, EVB/GE, EVC/GE, ER/GE 2,8 ou ER/GE.

**Detailed table of coil resistance data is available in the technical support pages of this site or can be sent upon request.**

## ► Dimensions



## ► Connection



## ► Technical features

<b>Function</b>	Instantaneous
<b>Presentation</b>	under cover

<b>Connection</b>	on front or rear wiring socket
<b>Number of mechanical operations</b>	30.000.000
<b>Operating temperature</b>	min: +5 to +55°C - extr: -25 to +55°C (NFC45-250)
<b>Storage temperature</b>	- 40°C to + 80°C (NFC 45-250)
<b>Climatic protection</b>	reinforced climatic protection
<b>Shock voltage</b>	4 KV wave 1,2/50 ms (HN 45-S-25)
<b>Dielectric strength</b>	2200 KV Eff50 Hz. (coil/contacts), 2500 V Eff50 Hz
<b>Insulation resistance</b>	> 200.000 MOhms (500 VDC new relay)
<b>Weight</b>	40 g.
<b>Protection level</b>	IP40
<b>Resistance to mechanical shocks</b>	severity 50 A (NFC 20-608)
<b>Resistance to vibrations</b>	frequency range : 10-55 Hz (NFC 20-616)

### ► Coil data

	<b>Direct current</b>	<b>Alternative current</b>	
<b>Min. nominal voltage DC</b>	6 V	6 V 50 Hz	
<b>Min. nominal voltage AC</b>	220 V	230 V - 50 Hz	
<b>Operating range</b>	Ic1:-20/+10% - Ib2:-15/+20% of nominal voltage		
<b>Power requirement</b>	1,2 W	2 VA (operate)	1,6 VA (release)

### ► Contacts

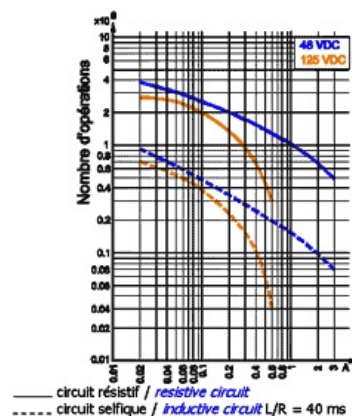
<b>Number of contacts</b>	4
<b>Max. load current</b>	Ic1: 3 A per contact / Ib2: 5 A per contact
<b>Low power switching</b>	0.1 VA with min. voltage 1 V and/or I min 1 mA

Short-circuit load	100 A / 30 ms
Response time (bounce time not included)	DC < 11.5 ms - AC < 13 ms

## ► Contacts rating

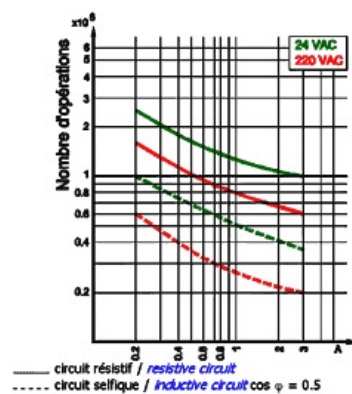
### DIRECT CURRENT

#### commutation on DC



### ALTERNATIVE CURRENT

#### commutation on AC



## ► Versions

- . 1804 relay frequency 60 Hz
- . 1804 relay with specific voltages
- . 1804 relay with internal protection (diode)

For any complementary information regarding mounting or withdrawal, please refer to the technical support pages of this site, or contact us.

**Non-contractual document** - characteristics to be confirmed before order

**TEC AUTOMATISMES reserves the right to modify description and specifications without notice**