

NF 4-pole contactor relays

AC / DC operated

E3



NF22E

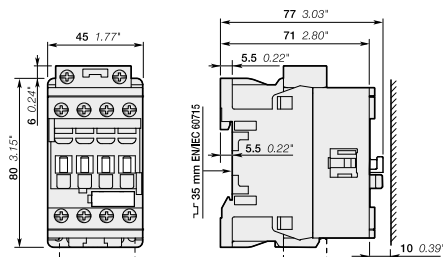
NF contactor relays are used for switching auxiliary and control circuits.

These contactor relays are of the block type design with:

- 4 poles. Contactor relays have mechanically linked auxiliary contact elements (side-marked symbol)
- control circuit: AC or DC operated with electronic coil interface accepting a wide control voltage range (e.g. 100...250 V AC and DC)
 - can manage large control voltage variations
 - only 4 control voltage ranges covering 24...500 V 50/60 Hz and 20...500 V DC
 - reduced panel energy consumption
 - very distinct closing and opening.
- built-in surge suppression
- add-on auxiliary contact blocks for front or side mounting and a wide range of accessories.

Number of contacts	Rated control circuit voltage		Type	Order code	Weight	
	Uc min. ... Uc max.					
	V 50/60 Hz	V DC			Pkg (1 pce) kg	
	24...60	20...60	(1)	NF22E-11	1SBH137001R1122	0.270
	48...130	48...130		NF22E-12	1SBH137001R1222	0.270
	100...250	100...250		NF22E-13	1SBH137001R1322	0.270
	250...500	250...500		NF22E-14	1SBH137001R1422	0.310
	24...60	20...60	(1)	NF31E-11	1SBH137001R1131	0.270
	48...130	48...130		NF31E-12	1SBH137001R1231	0.270
	100...250	100...250		NF31E-13	1SBH137001R1331	0.270
	250...500	250...500		NF31E-14	1SBH137001R1431	0.310
	24...60	20...60	(1)	NF40E-11	1SBH137001R1140	0.270
	48...130	48...130		NF40E-12	1SBH137001R1240	0.270
	100...250	100...250		NF40E-13	1SBH137001R1340	0.270
	250...500	250...500		NF40E-14	1SBH137001R1440	0.310

(1) NF..-11 not suitable for direct control by PLC-output.

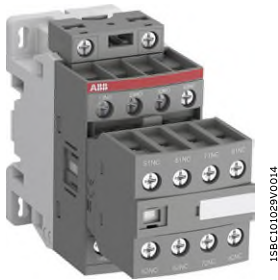


NF22E, NF31E, NF40E

Main dimensions mm, inches

NF 8-pole contactor relays

AC / DC operated



NF44E

15BC101039V0014



NF33/11

15BC101043V0014



NF51/11

15BC101043V0014

NF contactor relays are used for switching auxiliary and control circuits.

These contactor relays are of the block type design with:

- 8 poles with a permanently fixed 4-pole auxiliary contact block. Contactor relays have mechanically linked auxiliary contact elements (side-marked symbol) except for NF33/11 and NF51/11 variants
- overlapping of lagging / leading contacts for NF33/11 and NF51/11 variants
- control circuit: AC or DC operated with electronic coil interface accepting a wide control voltage range (e.g. 100...250 V AC and DC)
 - can manage large control voltage variations
 - only 4 coils to cover control voltages between 24...500 V 50/60 Hz and 20...500 V DC
 - reduced panel energy consumption
 - very distinct closing and opening
- built-in surge suppression
- add-on auxiliary contact blocks for side mounting and a wide range of accessories.

Number of contacts		Rated control circuit voltage Uc min. ... Uc max.	Type	Order code	Weight Pkg (1 pce) kg
1st stack	2nd stack				
		V 50/60 Hz			
		V DC			

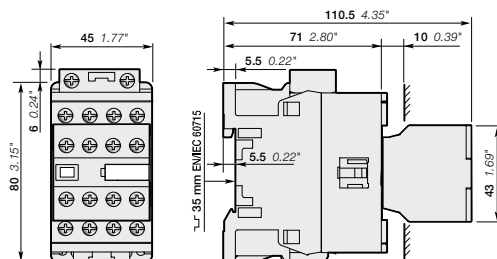
8-pole contactor relays

	24...60	20...60	(1)	NF44E-11	1SBH137001R1144	0.320
	48...130	48...130		NF44E-12	1SBH137001R1244	0.320
	100...250	100...250		NF44E-13	1SBH137001R1344	0.320
	250...500	250...500		NF44E-14	1SBH137001R1444	0.360
	24...60	20...60	(1)	NF53E-11	1SBH137001R1153	0.320
	48...130	48...130		NF53E-12	1SBH137001R1253	0.320
	100...250	100...250		NF53E-13	1SBH137001R1353	0.320
	250...500	250...500		NF53E-14	1SBH137001R1453	0.360
	24...60	20...60	(1)	NF62E-11	1SBH137001R1162	0.320
	48...130	48...130		NF62E-12	1SBH137001R1262	0.320
	100...250	100...250		NF62E-13	1SBH137001R1362	0.320
	250...500	250...500		NF62E-14	1SBH137001R1462	0.360
	24...60	20...60	(1)	NF71E-11	1SBH137001R1171	0.320
	48...130	48...130		NF71E-12	1SBH137001R1271	0.320
	100...250	100...250		NF71E-13	1SBH137001R1371	0.320
	250...500	250...500		NF71E-14	1SBH137001R1471	0.360
	24...60	20...60	(1)	NF80E-11	1SBH137001R1180	0.320
	48...130	48...130		NF80E-12	1SBH137001R1280	0.320
	100...250	100...250		NF80E-13	1SBH137001R1380	0.320
	250...500	250...500		NF80E-14	1SBH137001R1480	0.360

8-pole contactor relays with overlapping of lagging / leading contacts

	24...60	20...60	(1)	NF33/11-11	1SBH137001R1139	0.320
	48...130	48...130		NF33/11-12	1SBH137001R1239	0.320
	100...250	100...250		NF33/11-13	1SBH137001R1339	0.320
	250...500	250...500		NF33/11-14	1SBH137001R1439	0.320
	24...60	20...60	(1)	NF51/11-11	1SBH137001R1159	0.320
	48...130	48...130		NF51/11-12	1SBH137001R1259	0.320
	100...250	100...250		NF51/11-13	1SBH137001R1359	0.320
	250...500	250...500		NF51/11-14	1SBH137001R1459	0.320

(1) NF...11 not suitable for direct control by PLC.

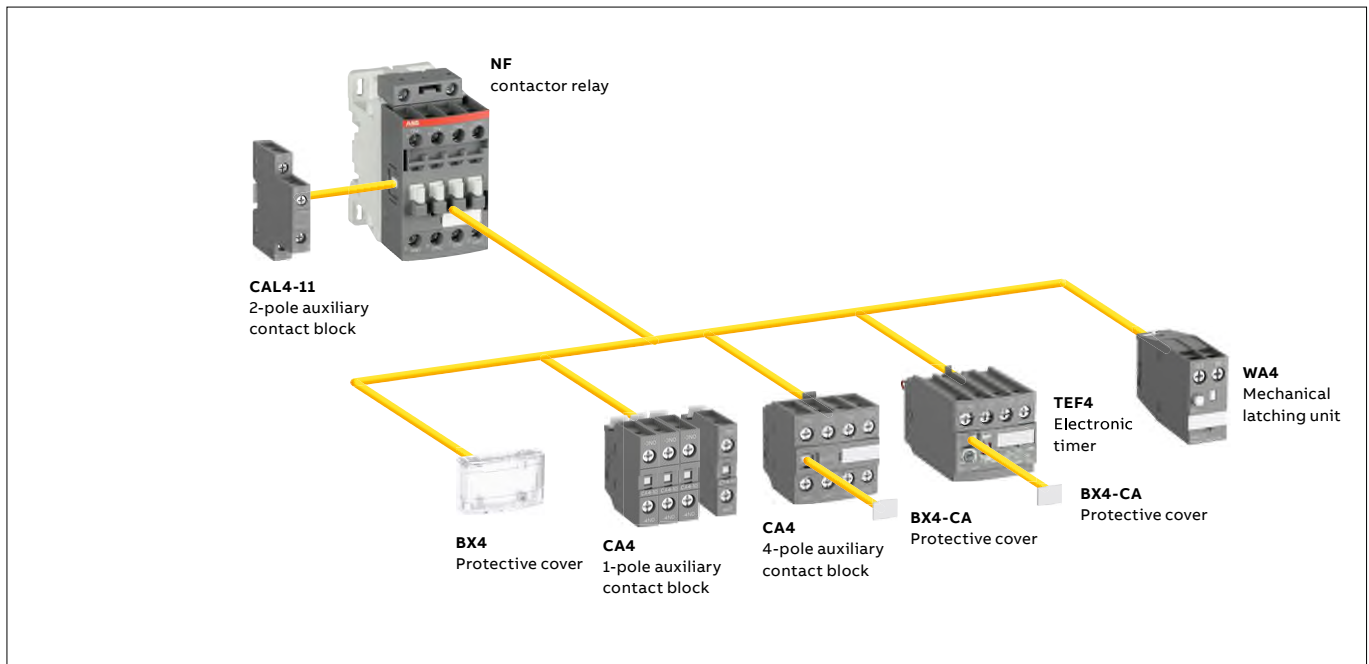


NF44E, NF53E, NF62E, NF71E, NF80E, NF33/11, NF51/11

Main dimensions mm, inches

NF 4-pole contactor relays

Contactor relays and main accessories



Main accessory fitting details - for ordering details, technical data and other accessories: see section accessories

Many configurations of accessories are possible depending on whether these are front-mounted or side-mounted.

Contactor relay types	Main poles	Front-mounted accessories				Side-mounted accessories	
		Auxiliary contact blocks		Electronic timer	Mechanical latching unit	Auxiliary contact blocks	
		1-pole CA4	4-pole CA4	TEF4	WA4 (3)	2-pole CAL4-11	
						Left side	Right side
NF(Z)							
NF	2 2 E (1) 3 1 E (1) 4 0 E (2)	4 max.	or 1	or 1	or 1	+ 1	-
		2 max.	-	or 1	or 1	+ 1	+ 1
NFZ 24 V DC designed for PLC - coil 30							
NFZ	2 2 E (1) 3 1 E (1) 4 0 E (2)	4 max.	or 1	or 1	-	or 1	+ 1
		2 max.	-	or 1	-	+ 1	-
		-	-	1	-	+ 1	+ 1

(1) Including add-on contacts: 3 N.C. auxiliary contacts max. on positions 1, 2, 3, 4 and 2 N.C. max. on positions 1 ±30°, 5.
 (2) Including add-on contacts: 4 N.C. auxiliary contacts max. on positions 1, 2, 3, 4 and 3 N.C. max. on positions 1 ±30°, 5.
 (3) Accept 1-pole CA4 auxiliary contacts (1 block on each side of the mechanical latch) in respect to the total number of additional N.C. auxiliary contacts.
 For WA4, accessory use with contactor relays coil 30, please consult your ABB local sales organization.