

2N® EASYGATE IP



The image shows a black, rectangular 2N EasyGate IP device. It features a top surface with several RJ45 ports, each with a blue LED indicator light. The device has a textured, ribbed front panel. On the top surface, there are several icons: a power button, a speaker, a telephone handset, and a mobile phone. The text '2N EASYGATE IP' is printed in white on the top surface.

4G ANALOGUE GATEWAY
SUPPORTING VOIP AND
CLOUD MANAGEMENT

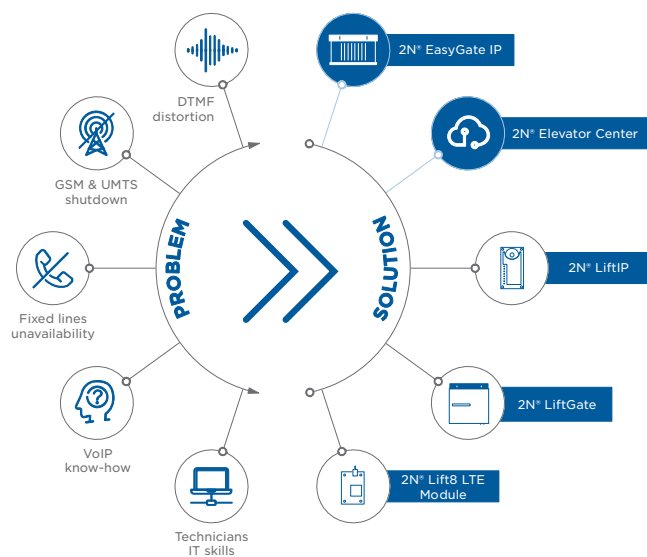
2N® EasyGate IP represents a new generation of analogue GSM/UMTS/VoLTE/LTE gateways. It works as a replacement of traditional fixed lines based on outdated analogue technology. This gateway embodies our long-term experience in the lift and telecommunication field, and it fits perfectly in a system of emergency communication in the elevator industry.

WHY TO MOVE TO 4G?

A lot of essential systems deployed in the elevator industry use mobile networks for connectivity of various technological devices. Some of the biggest mobile carriers have already revealed their plans and timeframe of a complete transition to the newer 4G technology. This is going to be a major technological change!

Is your infrastructure prepared for such a significant change? What will happen once 2G and 3G networks shut down? What will be your cost and who can help you to get ready?

2N® EasyGate IP is one of the first VoIP ready 4G gateways on the market! With this gateway, you can easily enter the world of IP technology and take a step to future proof your elevator solution. 2N® EasyGate IP works as a replacement of traditional fixed lines based on outdated analogue technology. It also addresses problems with the upcoming shutdown of 2G and 3G networks, and with limited reliability of DTMF transmission. Simply, it makes a perfect fit in systems of emergency communication in the elevator industry of today.



FEATURES & BENEFITS

2G, 3G AND 4G SUPPORT

The gateway supports 2G, 3G and 4G networks with and mainly VoIP. Install the gateway already now and continue using the old network. When the time comes, you can switch to 4G.

RELIABLE TRANSMISSION OF DTMF

2G, 3G and VoLTE frequently distort the DTMF signal. Only VoIP technology guarantees reliable transmission of DTMF. It is essential in identifying the lift when an emergency call is made.

VOIP IS THE FUTURE

Change all your analogue devices for devices that support VoIP. Without a single change to the hardware in the cabin. You save on costs and the call will be crystal clear.

CONFIGURATION IN 2 MINUTES

Any technician can easily set up the gateway, even without special expertise. Configuration is automated and takes no more than two minutes.

REMOTE ADMINISTRATION AND MONITORING

With our forthcoming 2N® Elevator Center cloud service, you'll save on costs for call-outs for technicians. Look forward to the safest cloud solution on the lift communication market.

FOR USE IN ANY LIFT SHAFT

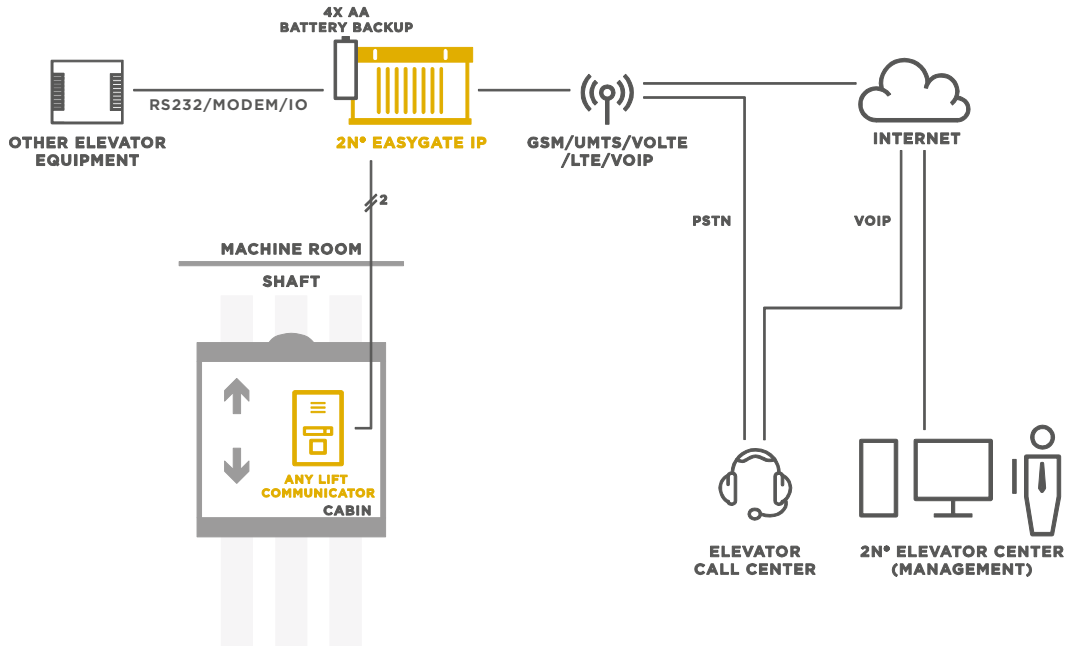
A sturdy cover, operating temperature of up to 85 °C, and IP43 protection against sprayed water. All this guarantees that the gateway can easily withstand adverse conditions in any lift shaft.

BACKUP OPERATION USING BATTERY POWER

The 2N® EasyGate IP works if there is a power cut. The backup battery can keep the gateway working. Users in the lift can always call for help and you will be in compliance with the legal standards.

VARIANT WITH A MODEM

Some lift devices communicated via the PSTN network by modem. We have a version of the 2N® EasyGate IP gateway for installations like that too.



2N® ELEVATOR CENTER

Building a professional solution requires having access to professional tools. 2N® Elevator Center is a cloud platform which allows automatic configuration, bulk management and real-time monitoring of your emergency communication solution. When you connect 2N® EasyGate IP to the cloud, you will get a large set of features which makes the management quick, easy, and intuitive. It also saves your time, workforce resources, and money.

- Built on a proven, secure cloud platform
- Designed to manage millions of devices
- Real-time monitoring and alerting

VERSIONS

VERSIONS WITH MODEM
5023101E, 5023101US, 5023101AU

VERSIONS WITHOUT MODEM
502300E, 502300US, 502300AU



TECHNICAL PARAMETERS

CELLULAR NETWORK

4G LTE bands EU (EC21-E): B1/B3/B5/B7/B8/B20
US (EC21-A): B2/B4/B12
AU (EC21-AU): B2/B4/B5/B7/B8/B28/B40

UMTS/WCDMA bands EU (EC21-E): 850/900/2100 MHz
US (EC21-A): 850/1700/1900 MHz
AU (EC21-AU): 850/900/1900/2100 MHz

GSM bands EU (EC21-E): EGSM 900 MHz, GSM 1800 MHz
US (EC21-A): not supported
AU (EC21-AU): EGSM 850/900 MHz, GSM 1800/1900 MHz

SIM cards 2 slots, both support 3V and 1.8V SIM cards

VOIP

Protocols SIP (RFC3261) over UDP, SIPs, SRTP

DTMF a) In-band
Analogy of traditional DTMF, where tones are merged with speech into single voice channel.
b) SIP INFO (RFC 2976)
DTMF signals are sent separately in the SIP message body

ANTENNA

Connector type SMA
Impedance 50 Ohms

LINE INTERFACE

Interface type FXS with screw terminal

POWER SOURCE

Power adapter (12 V / 1 A DC adapter included) option to connect an external 9 to 30 V DC power source
Backup power 4×AA batteries, constantly monitored

CONFIGURATION AND UPGRADE

Local web UI over USB
Cloud 2N* Elevator Center

OTHER

Dimensions 195 × 119 × 61 mm
Weight 600 g
Humidity max 90%, non condensing
IP coverage IP43
Operating temperature -40°C to +85°C
Status LED power, cellular network, FXS line, data, signal strength
Certifications EN 62368-1, EN 81-28, EN 301489-1, EN 301489-7, EN 301511, EN 301908-1, EN 301908-2, EN 301908-13, EN 62311, EN 63000, EN 12016
FCC Part 15b, UL 62368-1, PTCRB
ICES-003 Issue 6, CSA C22.2 No.62368-1
AS/CA S003.1, S003.3, S042.1, S042.4, AS/NZS 62368.1 App ZZ

Hissmekano AB, Reprovägen 7, S-183 77 Täby
+46 8-586 272 00, order@hissmekano.se, www.hissmekano.com